

GATES and KENNELS

<u>ALUMINUM SLIDE GATES</u>	55
<u>BARRIER GATES</u>	56
<u>CANTILEVER GATES</u>	54
<u>COMMERCIAL SWING GATES</u>	52
<u>COMMERCIAL SWING GATES — FRAME ONLY</u>	52
<u>INDUSTRIAL SWING GATES</u>	53
<u>INDUSTRIAL SWING GATES — FRAME ONLY</u>	53
<u>KENNELS</u>	57
<u>KENNELS — FRAME ONLY</u>	57
<u>PANIC BAR GATE</u>	59
<u>RESIDENTIAL GATES</u>	51
<u>RESIDENTIAL GATES — FRAME ONLY</u>	51
<u>VINYL GATES — COMMERCIAL</u>	58
<u>VINYL GATES — INDUSTRIAL</u>	58
<u>VINYL GATES — RESIDENTIAL</u>	58

RESIDENTIAL GATES

Gates are welded with 1-3/8" Tubing (.065). Fabricated gates have 2-1/4" x 11-1/2 gauge galvanized fabric and flat bands. Six foot high gates have horizontal braces. When ordering gates, tell us the opening size. We will make the allowance for the hinges and latch.

FABRICATED GATES

	WIDTH	3' HIGH	3' 6" HIGH	4' HIGH	5' HIGH	6' HIGH
GR-3#	3'	76.50	78.55	81.80	87.46	103.07
GR-42#	3'6"	78.62	80.60	83.93	89.84	104.61
GR-4#	4'	81.96	82.60	86.07	92.20	109.49
GR-5#	5'	84.15	86.69	90.37	96.95	115.93
GR-6#	6'	87.99	90.72	94.65	101.71	122.36

RESIDENTIAL GATE — FRAME ONLY

	WIDTH	3' HIGH	3'6" HIGH	4' HIGH	5' HIGH	6' HIGH
GRF-3#	3'	52.36	53.52	54.67	56.98	69.16
GRF-42#	3'6"	53.52	54.67	55.82	58.13	70.32
GRF-4#	4'	54.67	55.82	56.98	59.28	72.60
GRF-5#	5'	56.98	58.13	59.28	61.57	76.08
GRF-6#	6'	59.28	60.42	61.57	63.90	79.53

RESIDENTIAL GATE FRAME ONLY — 5 FRAMES or MORE (Any Sizes)

	WIDTH	3' HIGH	3'6" HIGH	4' HIGH	5' HIGH	6' HIGH
GRF-3#	3'	49.74	50.84	51.94	54.13	65.70
GRF-42#	3'6"	50.84	51.94	53.03	55.22	66.80
GRF-4#	4'	51.94	53.03	54.13	56.32	68.97
GRF-5#	5'	54.13	55.22	56.32	58.49	72.28
GRF-6#	6'	56.32	57.40	58.49	60.71	75.55

COMMERCIAL SWING GATE PANELS — FABRICATED

Pipe — 1-5/8" WT-20

Fabric — 9 Gauge Galvanized

Fittings — Beveled Bands

	WIDTH	4' HIGH	5' HIGH	6' HIGH	7' HIGH	8' HIGH	10' HIGH
GC-3#	3'	143.42	153.13	185.25	195.16	212.94	238.31
GC-42#	3'6"	147.31	157.46	187.18	200.42	218.64	244.83
GC-4#	4'	151.20	161.80	196.91	207.69	226.32	255.47
GC-5#	5'	162.95	174.38	232.34	243.94	255.51	301.69
GC-6#	6'	170.73	183.01	244.01	256.47	288.41	340.48
GC-7#	7'	189.81	202.93	270.40	291.63	336.53	394.00
GC-8#	8'	230.03	246.19	318.89	351.06	375.30	415.11
GC-9#	9'	229.91	246.95	306.82	363.59	388.67	422.03
GC-10#	10'	237.66	255.56	358.08	391.86	417.87	455.55
GC-11#	11'	246.22	264.92	370.48	405.24	439.89	479.29
GC-12#	12'	261.17	280.73	381.43	416.99	460.43	577.09

For Barbwire Use Next Higher Size.

COMMERCIAL SWING GATE PANELS — FRAME ONLY

Pipe 1-5/8" WT-20.

	WIDTH	4' HIGH	5' HIGH	6' HIGH	7' HIGH	8' HIGH	10' HIGH
GCF-3#	3'	91.66	95.87	125.62	129.82	141.95	150.39
GCF-42#	3'6"	93.77	97.97	127.72	131.94	144.06	152.49
GCF-4#	4'	95.87	100.10	131.94	144.06	148.29	161.46
GCF-5#	5'	100.10	104.30	138.26	142.46	154.59	168.83
GCF-6#	6'	104.30	116.41	144.58	156.69	160.92	198.31
GCF-7#	7'	127.72	131.94	189.34	193.54	205.66	222.00
GCF-8#	8'	148.29	154.59	192.44	206.68	236.75	249.38
GCF-9#	9'	152.49	158.82	214.59	220.92	227.23	255.70
GCF-10#	10'	164.60	170.93	220.92	243.05	257.31	293.66
GCF-11#	11'	153.01	159.31	235.14	249.38	263.61	315.83
GCF-12#	12'	173.04	179.34	233.56	255.70	269.92	298.38

For Barbwire Use Next Higher Size (Barbwire and fittings are not included.)

INDUSTRIAL SWING GATE PANELS — FABRICATED

Pipe — 2" WT-40

Fabric — 9 Gauge Galvanized

Fittings — Beveled Bands

	WIDTH	4' HIGH	5' HIGH	6' HIGH	7' HIGH	8' HIGH	10' HIGH
GI-3#	3'	162.93	175.42	214.47	227.16	247.72	278.60
GI-42#	3'6"	168.22	181.13	216.72	233.79	254.59	286.50
GI-4#	4'	173.49	186.86	230.29	243.82	265.24	297.84
GI-5#	5'	188.01	202.23	269.86	284.23	298.58	350.27
GI-6#	6'	198.56	213.60	285.68	300.92	332.86	393.23
GI-7#	7'	220.40	236.31	316.22	340.21	387.90	450.91
GI-8#	8'	268.95	289.27	377.17	413.50	441.90	490.03
GI-9#	9'	271.57	292.77	369.26	430.18	459.41	498.33
GI-10#	10'	282.13	304.15	424.66	462.60	492.79	538.78
GI-11#	11'	293.51	316.36	441.31	480.21	519.04	566.72
GI-12#	12'	311.15	334.88	456.33	496.06	543.66	699.08
GI-15#	15'	387.73	414.18	498.13	540.61	569.90	653.97

For Barbwire Use Next Higher Size.

INDUSTRIAL SWING GATE PANELS — FRAME ONLY

Pipe 2" WT-40.

	WIDTH	4' HIGH	5' HIGH	6' HIGH	7' HIGH	8' HIGH	10' HIGH
GIF-3#	3'	111.05	118.02	154.69	161.69	176.58	190.54
GIF-42#	3'6"	114.53	121.51	158.17	165.17	180.07	194.03
GIF-4#	4'	118.02	125.01	165.17	180.07	187.05	203.69
GIF-5#	5'	125.01	132.01	175.64	182.62	197.51	215.89
GIF-6#	6'	132.01	146.87	186.10	201.00	207.98	264.77
GIF-7#	7'	158.17	165.17	235.03	241.99	256.89	278.78
GIF-8#	8'	187.05	197.51	250.61	269.00	303.20	324.16
GIF-9#	9'	194.03	204.51	276.91	287.38	297.84	334.63
GIF-10#	10'	208.92	219.38	287.38	313.67	332.08	376.75
GIF-11#	11'	200.07	210.53	305.76	324.16	342.54	403.05
GIF-12#	12'	222.89	233.37	308.34	334.63	353.01	389.77
GIF-15#	15'	271.67	282.13	333.70	352.07	353.39	390.15

For Barbwire Use Next Higher Size (Barbwire and fittings are not included.)

FEDERAL GATE POST SPECIFICATIONS

GATE WIDTH	PIPE SIZE
To 6'	3"
To 13'	4"
To 18'	6-5/8"

CANTILEVER GATES

Our steel cantilever gates have a top and bottom rail of 2-1/2" SS-40, a vertical bracing of 2" SS20, and a diagonal bracing of 1-5/8" SS20. We can, of course, build gates for any opening size. Standard counterbalance is 50% of the opening size of the gate. Custom counterbalances are available, please inquire.

OPENING	5' HIGH	6' HIGH	7' HIGH	8' HIGH
GCANT-10#	509.21	611.49	656.49	669.45
GCANT-12#	682.33	717.91	724.99	758.63
GCANT-14#	780.57	788.93	888.30	892.09
GCANT-15#	813.62	828.81	943.10	951.47
GCANT-16#	911.61	975.69	1,009.54	1,067.42
GCANT-18#	935.87	1,060.95	1,098.85	1,187.16
GCANT-20#	1,103.07	1,109.89	1,144.65	1,219.83
GCANT-21#	1,170.41	1,187.82	1,194.55	1,253.84
GCANT-24#	1,235.35	1,295.20	1,285.54	1,388.73
GCANT-25#	1,277.43	1,324.61	1,354.25	1,496.46
GCANT-28#	1,531.12	1,537.12	1,512.99	1,599.25
GCANT-30#	1,551.86	1,616.08	1,680.60	1,786.93

For Barbwire Add \$4.50 x Opening Size.

*Gates over 40' in length will require a special delivery at an additional cost.

We strongly recommend the use of a cantilever cover to protect hands and a safety post for regular cantilever gates to prevent the gate from falling off the rollers.

For Cantilever Hardware see Gate Fittings Section

ALUMINUM SLIDE GATES

Interchangeable for left or right opening with fabric spanning entire opening to meet ASTM F2200 for automated gates. Constructed with 6061-T6 alloy and truss rods for adjustment. Meets ASTM F-1184, Type II, Class 2 specifications. See separate Specification Sheet for additional details.

OPENING RANGE		5' HIGH	6' HIGH	7' HIGH	8' HIGH	Overall Length
15' - 18'	ASG-18#	1,440.40	1,462.82	1,529.14	1,576.75	26' 3"
19' - 22'	ASG-22#	1,756.94	1,782.40	1,863.20	1,916.42	31' 3"
23' - 26'	ASG-26#	2,502.82	2,530.07	2,640.19	2,679.49	37' 3"
27' - 30'	ASG-30#	2,966.26	2,996.67	3,122.28	3,200.81	42' 3"

***Must Order Hardware Kits Separately**

Hardware Kits

ASG-HWL4 Hardware Kit - 4" w/Locinox for Manually Operated Gates	\$787.11
ASG-HWO4 Hardware Kit - 4" for Electrically Operated Gates	\$502.92

Barbwire Kits

ASG-BW18 Barbwire Wire Kit for 15'-18'	\$290.51
ASG-BW22 Barbwire Wire Kit for 19'-22'	\$342.94
ASG-BW26 Barbwire Wire Kit for 23'-26'	\$396.02
ASG-BW30 Barbwire Wire Kit for 27'-30'	\$448.46

Aluminum Slide Gate Post Spacing

Gate Opening Range	OPENING	GATE POSTS (G)	TOTAL GATE LENGTH (L)
	I/S POST FACE TO I/S POST FACE	O/S POST FACE TO O/S POST FACE	O/S DIM OF GATE LEAF
15' - 18'	15'	11'-0"	26' 3"
	16'	10'-0"	26' 3"
	17'	9'-0"	26' 3"
	18'	8'-0"	26' 3"
19' - 22'	19'	12'-0"	31' 3"
	20'	11'-0"	31' 3"
	21'	10'-0"	31' 3"
	22'	9'-0"	31' 3"
23' - 26'	23'	14'-0"	37' 3"
	24'	13'-0"	37' 3"
	25'	12'-0"	37' 3"
	26'	11'-0"	37' 3"
27' - 30'	27'	15'-0"	42' 3"
	28'	14'-0"	42' 3"
	29'	13'-0"	42' 3"
	30'	12'-0"	42' 3"

BARRIER GATE

Our barrier gates have a top and bottom rail of 2" SS40 and vertical bracing of 1-5/8" SS20. We can, of course, build barrier gates for any opening size.

BG-104	4' x 10' Opening	\$191.39
BG-124	4' x 12' Opening	\$217.66
BG-144	4' x 14' Opening	\$261.51
BG-164	4' x 16' Opening	\$287.78
BG-184	4' x 18' Opening	\$331.60
BG-204	4' x 20' Opening	\$357.88

DOG KENNEL PANELS

"Clamp together" enclosure for kennel runs and portable pens with all hardware included. For a gate in any panel add item KP-2#. Panels 10' and over are braced. Frame is 1-3/8" 065 with 2-1/4 x 11-1/2 gauge galvanized fabric.

DOG KENNEL PANELS — FABRICATED

	LENGTH OF PANEL	4' HIGH	5' HIGH	6' HIGH
KP-4#	4'	85.12	91.25	97.29
KP-5#	5'	89.42	95.98	102.51
KP-6#	6'	93.70	100.74	107.70
KP-8#	8'	108.68	116.65	124.53
KP-10#	10'	128.30	131.91	148.29
KP-12#	12'	136.86	147.83	158.68
KP-15#	15'	156.16	168.48	180.71
KP-20#	20'	194.12	211.06	225.60
KP-2#	2' Gate built into Panel	77.63	83.08	88.45

DOG KENNEL PANELS — FRAME ONLY

	LENGTH OF PANEL	4' HIGH	5' HIGH	6' HIGH
KPF-4#	4'	56.98	59.28	61.57
KPF-5#	5'	59.28	61.57	63.90
KPF-6#	6'	61.57	63.90	66.18
KPF-8#	8'	79.03	81.34	83.65
KPF-10#	10'	101.09	98.14	108.01
KPF-12#	12'	105.70	109.17	112.63
KPF-15#	15'	112.63	116.07	119.53
KPF-20#	20'	147.11	149.42	156.31
KPF-2#	2'	76.24	79.69	83.16

DOG KENNELS — COMPLETE

	HEIGHT	SIZE	COST
KC610-5	5'	6' x 10'	548.38
KC612-5	5'	6' x 12'	580.22
KC620-5	5'	6' x 20'	706.68
KC810-5	5'	8' x 10'	580.20
KC820-5	5'	8' x 20'	738.50
KC1010-5	5'	10' x 10'	610.72
KC610-6	6'	6' x 10'	600.43
KC612-6	6'	6' x 12'	621.21
KC620-6	6'	6' x 20'	755.05
KC810-6	6'	8' x 10'	634.09
KC820-6	6'	8' x 20'	788.71
KC1010-6	6'	10' x 10'	681.61

VINYL GATES — RESIDENTIAL

Pipe — 1-3/8" Lifecoat

Fabric — 9 Gauge Vinyl

Fittings — Vinyl

	WIDTH	3' HIGH	3'6" HIGH	4' HIGH	5' HIGH	6' HIGH
GRV-3#	3'	114.32	116.90	124.53	132.55	159.24
GRV-42#	3'6"	115.78	122.30	125.76	135.79	163.69
GRV-4#	4'	119.60	122.49	130.41	139.01	168.04
GRV-5#	5'	124.91	128.06	136.28	145.47	176.86
GRV-6#	6'	130.20	133.66	138.73	151.91	185.67

VINYL GATES — COMMERCIAL

Pipe — 1-5/8" WT-20

Fabric — 9 Gauge Vinyl

Fittings — Heavy Vinyl Coated

	WIDTH	4' HIGH	5' HIGH	6' HIGH	7' HIGH	8' HIGH
GCV-3#	3'	210.84	225.58	279.33	310.55	329.78
GCV-42#	3'6"	215.40	230.51	284.52	340.02	355.66
GCV-4#	4'	219.97	235.44	293.02	348.68	364.70
GCV-5#	5'	229.11	241.35	322.55	363.09	371.91
GCV-6#	6'	238.24	255.14	336.25	377.52	384.89
GCV-7#	7'	269.99	287.57	395.18	453.00	505.04
GCV-8#	8'	291.61	313.05	427.64	489.30	550.87
GCV-9#	9'	320.52	342.71	441.35	503.71	565.99
GCV-10#	10'	329.66	352.53	534.18	597.27	660.25
GCV-11#	11'	341.18	364.77	550.28	614.08	677.78
GCV-12#	12'	347.93	372.23	561.60	641.93	690.51

VINYL GATES — INDUSTRIAL

Pipe — 2" WT-40

Standard Weight Available - Call for Price

Fabric — 9 Gauge Vinyl

Fittings — Heavy Vinyl Coated

	WIDTH	4' HIGH	5' HIGH	6' HIGH	7' HIGH	8' HIGH
GIV-3#	3'	250.00	270.31	337.96	374.74	399.55
GIV-42#	3'6"	257.35	278.01	346.12	406.98	428.19
GIV-4#	4'	264.70	285.73	360.00	421.22	442.79
GIV-5#	5'	279.40	309.05	397.87	443.97	446.47
GIV-6#	6'	294.08	316.54	419.90	446.96	478.07
GIV-7#	7'	331.39	354.55	487.17	550.55	608.17
GIV-8#	8'	369.70	399.49	544.67	614.67	684.59
GIV-9#	9'	404.18	434.70	566.72	637.42	708.05
GIV-10#	10'	418.87	450.10	667.90	739.33	810.66
GIV-11#	11'	436.09	468.01	692.45	764.61	836.64
GIV-12#	12'	450.77	483.43	714.50	767.56	860.10

Substitute "V" in part number for correct color code - Black (B), Brown (BR), Green (G)

*For barbwire, use next higher size.

PANIC BAR and GATE

Panic Bar Kit (PB-K)

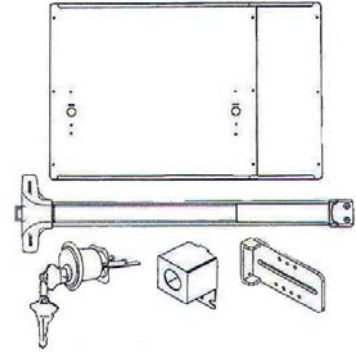
495.00

Adjustable Back Plate (24" x 32" - 54") (PB-MPA)

36" Panic Bar (PB-DAC)

Key Lock and Lock Box (PB-LB)

Adjustable Receiver Bracket (PB-LR)



Panic Bar Kit — Installed on Gate

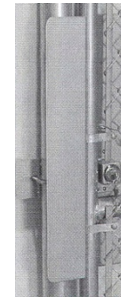
590.00

Add to Price of Gate

Gate Latch Protector (PB-LP)

45.00

For added security where gap is greater than 1".



Stainless Steel Panic Bar (PB-SS)

435.90

PreHung Panic Bar Gate

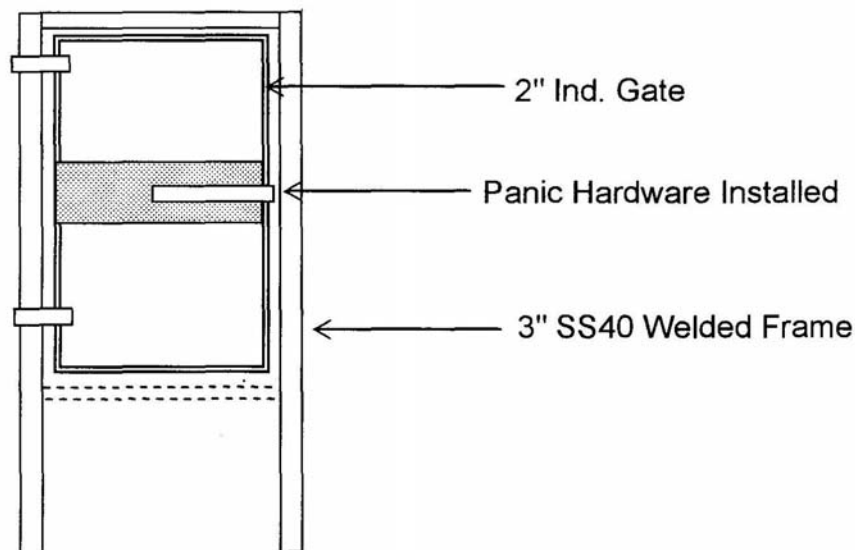
1395.00

Complete Panic Hardware Installed

Gate is ready for installation.

Price here is for a standard 4' x 7' or 4' x 6+1 gate inside welded frame.

Square panic bar gate is also available. Call for pricing.



Other Options:

3" or 4" Square Welded Frame

2" Square Gate Frame